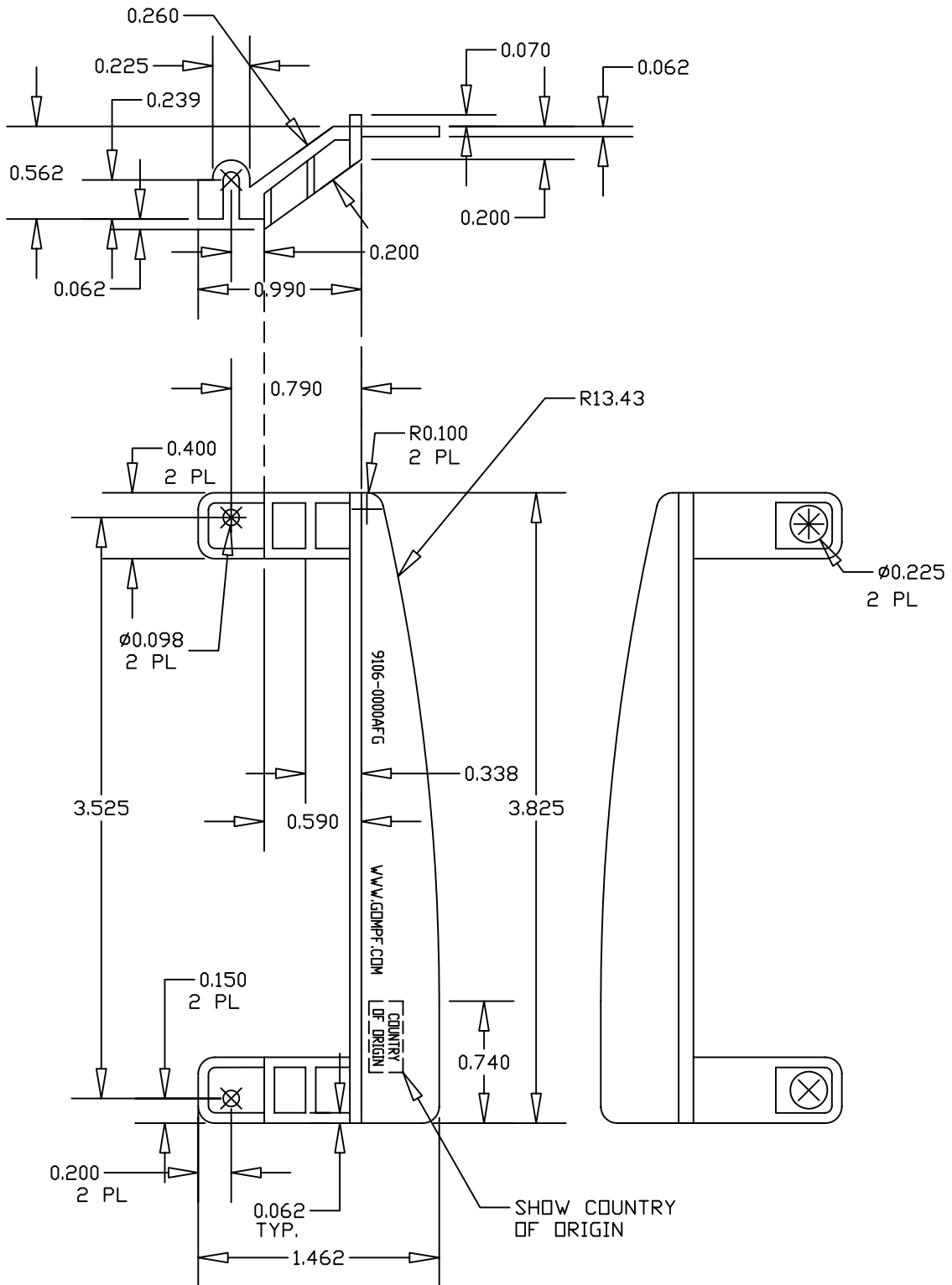


REVISIONS		
Rev#	DESCRIPTION	DATE
00	ORIGINAL	6/28/00
A	CHANGED REV LEVEL TO A	8/1/00

ENGINEERING CHANGE ORDER		
Item#	DESCRIPTION	DATE
00	ORIGINAL	6/26/97
01	REMOVED "WA" FROM P/N JULY 97 PER U.S. CUSTOMS	5/20/98
02	CHANGE SPEC $\phi 0.098$ TO $\phi 0.093$	10/7/98
03	CHANGED TEXT "GOMPf 98027" TO "WWW.GOMPf.COM", UPDATED CUSTOMER PART NUMBER	10/13/99
04	CHANGE SPEC $\phi 0.093$ TO $\phi 0.098$	11/17/99
05	ADDED COUNTRY OF ORIGIN	6/28/00

Gompf

GOMPf BRACKETS, INC.
 WWW.BRACKET.COM
 sales@bracket.com
 Phone: (425) 348-5002
 Fax: (425) 348-5150



COPYRIGHT PROTECTED
 DWG. NO. 9106-0000AFG
 MATERIAL: BLACK UL94V-0 WITH 10% FIBERGLASS
 FINISH: BLACK
 TOLERANCES:
 STD. TOLS. ± 0.010
 RAD. TOLS. ± 0.010
 HOLE TOLS. ± 0.005
 MAT. TOLS. ± 0.002

SCALE: 1:1
 DATE: 8/1/00
 REV. A
 CHECKED:
 APPROVALS:
 DRAWN BY: BF/VW