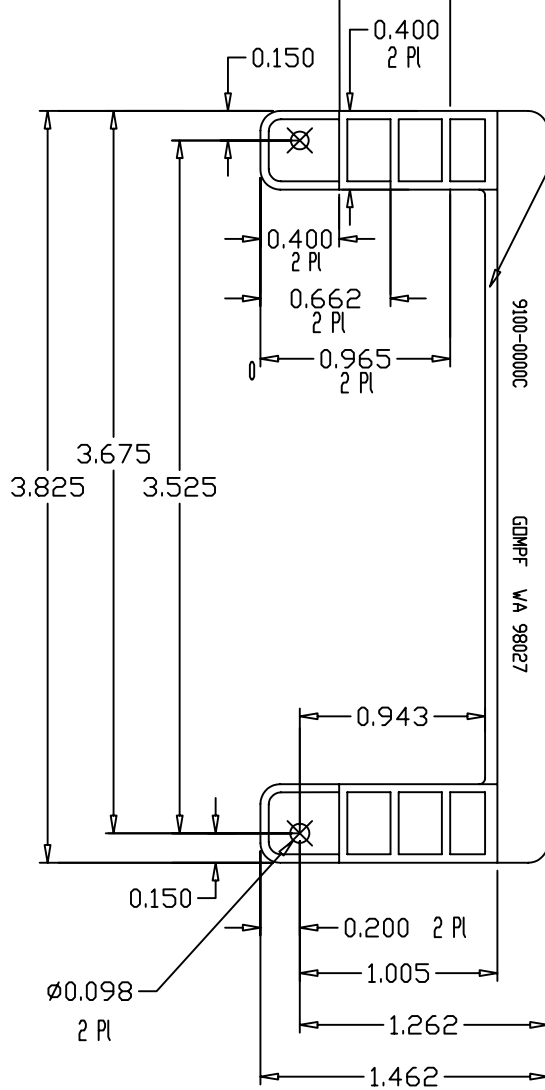
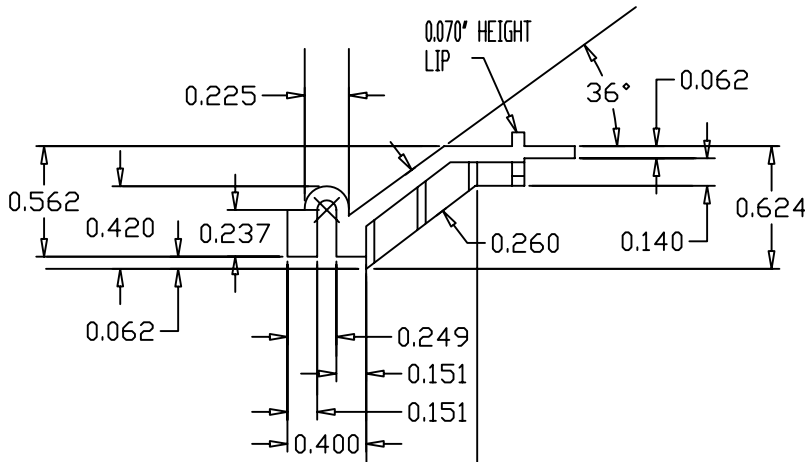
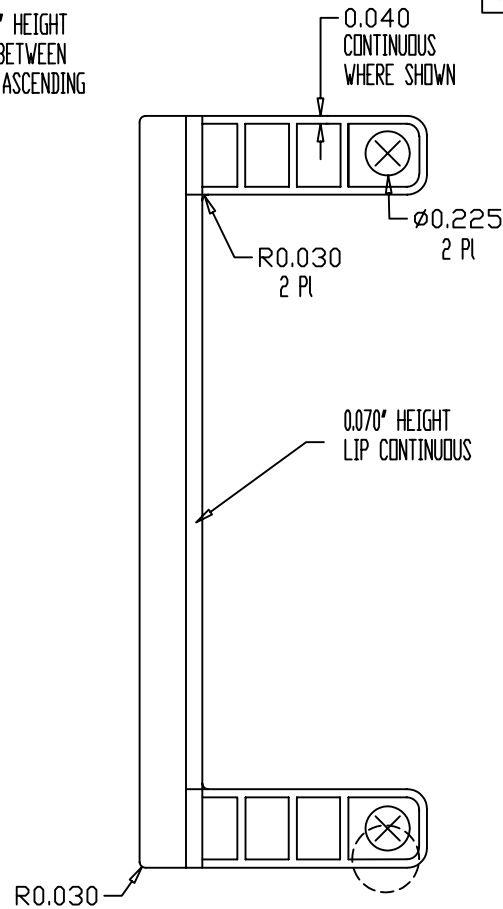


Gompf

GOMPf BRACKETS, INC.
 WWW.BRACKET.COM
 sales@bracket.com
 Phone: (425) 348-5002
 Fax: (425) 348-5150



0.070" HEIGHT LIP BETWEEN TWO ASCENDING ARMS



COPYRIGHT PROTECTED

DWG. NO.
 9100-0000C
 PCI/ISA RETAINER

MATERIAL: BLACK
 UL94V-0

TOLERANCES:
 STD.TOLS:±0.010
 RAD.TOLS:±0.010
 HOLE TOLS:±0.005
 MAT.TOLS:±0.002

SCALE: 1:1

DATE: 6-24-96

REV. C

ISSUED:

APPROVALS:

DRAWN BY: DB

